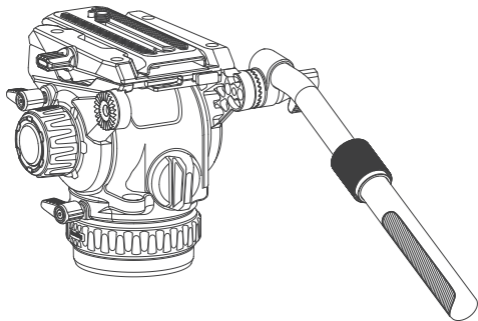


SmallRig



Heavy-Duty Video Head Mount Plate DH12 动平衡液压云台安装座DH12

Operating Instruction / 操作指引

- Thank you for purchasing SmallRig's product.
感谢您购买 SmallRig 产品。
- Please read this Operation Guide carefully.
使用本产品之前，请仔细阅读操作指引。
- Please follow the safety warnings.
请注意所有警告提示并遵循使用操作指引的所有指令。

Warnings / 重要提示

- ! **WARNING** Risk of finger entrapment. Do not place fingers between the platform and the body of the fluid head.
 - ! **WARNING** Do not fit a head to a tripod that cannot support the combined mass of the head and its full payload.
 - ! **WARNING** Avoid unintentionally lifting the Knob / Lever above the detent as the head will be released suddenly from the tripod.
 - ! **WARNING** Always lock the Tilt Locking Knob and Pan Locking Knob when the
 - ! **WARNING** mounted but not in use or when levelling the fluid head on the tripod.
 - ! **WARNING** Hold the camera securely when mounting or dismounting from the fluid head and when making adjustments to the tripod height or footprint.
 - ! **WARNING** Always hold the pan bar when making adjustments to the counterbalance or camera position. Do not use the pan bar to lift or move the tripod and fluid head.
 - ! **WARNING** Do not attach heavy items to the pan bar.
 - ! **WARNING** Always remove the camera before transporting.
-

警告! 夹点、手指或手受伤，小心操作。

警告! 请勿将云台安装到无法支撑云台及其全部有效负载的总重量的三脚架上。

警告! 夹住手指的风险。不要将手指放在平台和液压云台之间。

警告! 当相机已安装但未使用时或调平三脚架上的液压云台时，请始终锁定俯仰和水平角度锁紧旋钮。

警告! 在安装或拆卸液压云台以及调整三脚架高度或占地面积时，请牢牢握住相机。

警告! 调整平衡或摄像机位置时，请始终握住摇摄手柄。请勿使用摇摄手柄抬起或移动三脚架和液压云台。

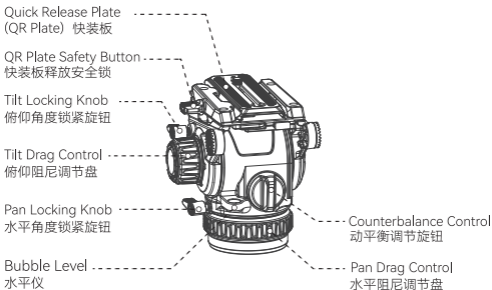
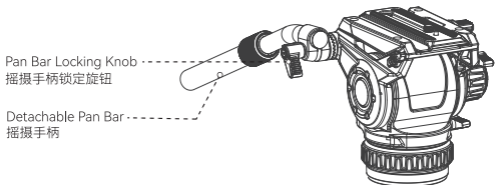
警告! 请勿在摇摄杆上安装重物。

警告! 运输前务必取下相机。

In the Box / 包装清单

| | | | |
|-----------------------|-----|------|-----|
| Video Head | × 1 | 云台 | × 1 |
| Allen Wrench | × 1 | 六角扳手 | × 1 |
| Operating Instruction | × 1 | 操作指引 | × 1 |
| Guarantee Card | × 1 | 保修卡 | × 1 |

Product Details / 产品介绍



Specifications / 产品参数

| | |
|--|--|
| Product Dimensions (Without Handle) | 150 × 150 × 140 mm / 5.9 × 5.9 × 5.5in |
| Telescopic Handle Dimensions | 350 × 50 × 50mm / 13.8 × 2.0 × 2.0in |
| Product Weight | 2040 ± 10g / 4.5 ± 0.2lb |
| Operating Altitude | 150mm / 5.5in |
| Bowl Adapter Diameter | 75mm / 2.9in |
| Tilt Range | +90°/-65° |
| Counterbalance Payload | 1 - 8.0kg / 2.2 - 17.6lb |
| Counterbalance | 6-Step (1, 2, 3, 4, 5, 6) |
| Tilt Control | Continuously Adjustable |
| Pan Control | Continuously Adjustable |
| Load-Bearing Capacity | 8kg / 17.6lb |
| Handle Length | 35.0 - 53.0cm / 13.8 - 20.9in |

| | |
|-------------|-----------------------|
| 产品尺寸 (不含手柄) | 150 × 150 × 140 mm |
| 手柄尺寸 | 350 × 50 × 50mm |
| 产品重量 | 2040 ± 10g |
| 工作高度 | 150mm |
| 碗口直径 | 75mm |
| 俯/仰角度 | 90°/-65° |
| 动平衡反弹力 | 1 - 8.0kg |
| 动平衡档位 | 6档 (1, 2, 3, 4, 5, 6) |
| 俯仰阻尼档位 | 无极调节 |
| 水平阻尼档位 | 无极调节 |
| 承重 | 8kg |
| 手柄长度 | 35.0 - 53.0cm |

To counterbalance your fluid head:

- Attach the QR plate to the camera and level the fluid head.
- Set the pan and tilt drag to zero and lock them. Set the counterbalance to the lowest level.
- Mount the camera on the platform, determine the position of the balance point, and align its center of gravity with the center of the fluid head.
- Carefully unlock the tilt lock and ensure that the camera is balanced properly. Adjust the quick release plate if necessary.
- Adjust the counterbalance knobs after balancing the camera to ensure it stays in place, regardless of the tilt angle.
- To check if your camera is properly balanced, tilt the head by 30 degrees in both directions and release it.
If the camera stays in place when released, it is balanced correctly. However, if the camera moves upwards, it means the counterbalance is set too high and should be lowered. Similarly, if the camera moves downwards, it means the counterbalance is set too low and should be raised.
- If the camera remains stable in one direction but moves slightly in the other, it may indicate that the camera is not balanced centrally. To adjust this, slide the camera plate backwards and forwards until the camera remains stable in both directions.
- Adjust the drag according to your needs. Set it to zero for faster panning and higher for slower, steadier pan or tilt.

如何使用云台：

- 将快装板安装到相机上，然后调平液压云台。
- 水平阻尼和俯仰阻尼设置为最小并锁定，动平衡调节调到最小。
- 将相机装在云台上，确定平衡点的位置，并将其重心与液压云台的中心对齐。
- 小心地解开俯仰锁定旋钮，检查相机是否平衡到位。如果没有，前后调节快装板，直到平衡为止。
- 相机基本平衡后，调整动平衡旋钮，调到合适的档位，调整到，俯仰无论在什么角度，都能保持悬停，即可完成平衡调节。
- 应根据您的情况和需要设置相应的阻力。如果需要更快地平移，则将阻力设为零。如果需要缓慢或稳定的计划或倾斜，则将阻力调大一些。

执行标准：GB/T 26572-2011

CE RoHS



LQ-B255-18

Made in China

中国制造

