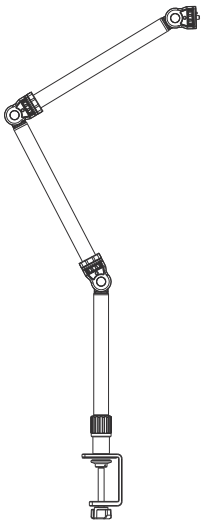


# SmallRig



## Live Desktop Camera Bracket DT-50

User Manual

- Thank you for purchasing SmallRig's product.
- Please read this Operating Instruction carefully.
- Please follow the safety warnings.

## Product Introduction

SmallRig Live Desktop Camera Bracket provides an integrated and easy solution for indoor live streaming, desktop photography, and other scenes. The bracket articulates the connection of multiple devices through a 3-section articulated arm and the included holding arm, to achieve multi-angle shooting needs and optimize your shooting experience.

## Intended Use

- Do not overload.
- Brutal operation is strictly prohibited to avoid damage to the product.
- Make sure the device is securely attached before operating the video head.
- Do not move the bracket when the device is attached.
- Do not use the product at temperatures  $-20^{\circ}\text{C}$  and below or  $+60^{\circ}\text{C}$  and above.
- For personal safety, please stay away from high-voltage equipment or strong chemicals when using.

## In the Box



C-Clamp × 1



A



B

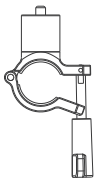


C

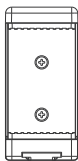
Articulated Arm × 3



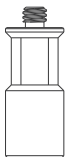
Holding Arm × 1



C-Crab-Shaped Clamp × 1



Phone Clip × 1



Lamp Holder × 1



1/4"-3/8" Adapter × 1



1/4"-5/8" Adapter × 1

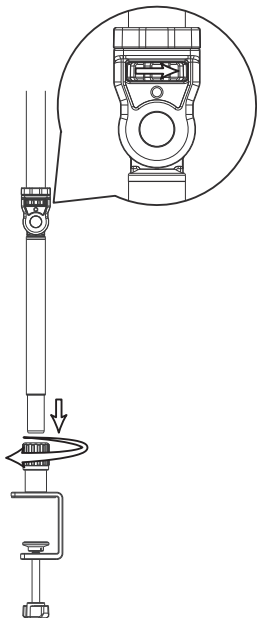


User Manual × 1

## Usage Method

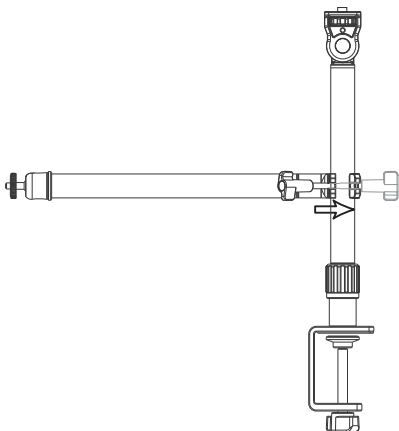
### 1. Install the bracket

- ① Unscrew the knob at the bottom of the C-clamp, attach it to the side of the desktop, and tighten the knob;
- ② Place the articulated arm A into the top knob of the C-clamp and lock it clockwise;
- ③ Place the nut on the bottom of articulated arm B on the top screw of articulated arm A, and fasten the nut to the right to lock the articulated arms;
- ④ Refer to step ③ for the installation method of articulated arm C.



## 2. Install the holding arm

Unscrew all the screws of the crab-shaped clamp knob, open the crab-shaped clamp to attach the aluminum tube of the articulated arm, buckle the screws back and tighten the knob.



## 3. Adjust the shooting angle

- ① Rotate the top knob of the C-clamp counterclockwise to unlock the bracket and rotate the bracket body to adjust the direction. The bracket articulates 360° rotation;
- ② Rotate the knob on the articulated arm counterclockwise to unlock the articulated arm head. The head articulates 180° angle adjustment. Tighten the knob after adjusting to the appropriate angle.

## Specifications

Material(s)	Aluminum Alloy、ABS
Max Height	980mm / 38.6in
Net Weight	930g ± 30g / 33 ± 1oz
Articulated Arm Parts	3
Articulated Arm Length	320mm / 12.6in
Articulated Arm Diameter	25mm / 1.0in
Articulated Arm Head Rotation	180°
Articulated Arm Load	2.7kg - 3.3kg / 5.9 - 7.3lbs
C-Clamp Gripping Distance	< 67mm / 2.6in
Crab-Shaped Clamp Size	22mm - 28mm / 0.9 - 1.1in
Holding Arm Length	300mm / 11.8in
Holding Arm Ball Head Diameter	15mm / 0.6in
Holding Arm Ball Head Load	< 1kg / < 2.2lbs
Phone Clip Applicable Width	58 - 85mm / 2.3 - 3.3in

## Service Warranty

Please keep your original receipt and guarantee card. Be sure the dealer has written on it the date of purchase and SN of the product. These are required for warranty service.

## After-sale Warranty Terms

SmallRig products are entitled to warranty services as of the date of payment.

- Electronic products (except V mount battery): 1-year warranty.
- V mount battery: 2-year warranty.
- Non-electronic products: 2-year warranty.

Note: In case of any conflict between our warranty period policy and applicable laws and regulations of the country / region where the products are sold, the latter shall prevail.

## **This Warranty Does Not Cover**

1. If users fail to adhere to the "Operating Instruction" or any "Warnings" stated in the user manual, resulting in a quality failure, it falls outside the scope of warranty coverage.
2. The product identification or SN label is removed or defaced in any way.
3. Product damage caused by problems not attributable to the quality of the products such as improper use of the products.
4. Product damage caused by unauthorized modification, disassembly, repair and other acts.
5. Product damage caused by fires, floods, lightning and other force majeure factors.

## **Warranty Mode**

- For the products within the scope of warranty, SmallRig will repair or replace them on the basis of specific failures; the repaired / replaced products / parts are entitled to the remaining part of the original warranty period.

## **Contact Information**

- You're advised to contact the online customer service personnel of corresponding shopping platform and submit a repair service application.
- You may also apply for repair service through SmallRig's service email.  
Service Email: support@smallrig.com

## **Guarantee Card**

ID No.	
Item Name	
Purchase Date	
User Name	
Mobile	
Address	
Receipt	

EC

REP

Prolinx GmbH  
Brehmstr.56,40239 Duesseldorf Germany  
eu@eulinx.eu

UK

REP

Prolinx Global LTD  
27 Old Gloucester Street London,WC1N3AX, UK  
eu@eulinx.eu



WE ARE HERE FOR YOU  
服务与支持



ETICHETTATURA AMBIENTALE  
ENVIRONMENTAL LABELING

CE RoHS

合格证  
已检验



Manufacturer: Shenzhen Leqi Innovation Co., Ltd.

Add: Rooms 103, 501 and 601, Building 5, Fenghe Industrial Park, Nos. 1301-50 Guangguang Road, Longhua District, Shenzhen, Guangdong, China.

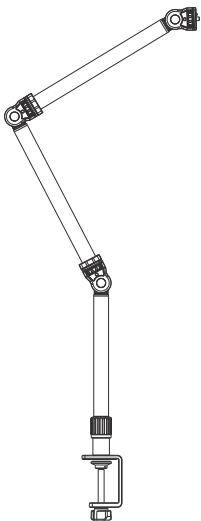
Consignor: Shenzhen LC Co., Ltd.

Add: Rooms 602, Building 5, Fenghe Industrial Park, No. 1301-50 Guangguang Road, Xinlan Community, Guanlan Street, Longhua District, Shenzhen, Guangdong, China.

Made in China



# SmallRig



## 桌面俯拍支架DT-50

用户手册

感谢您购买 SmallRig 产品。

使用本产品之前，请仔细阅读操作指引。

请注意所有警告提示并遵循使用操作指引的所有指令。

## 产品简介

欢迎使用 SmallRig 桌面俯拍支架，本品主要为室内直播、桌面摄影等场景提供一体化简易解决方案。支架通过三节支臂以及附赠的横臂等附件，支持连接多种设备，以实现多角度拍摄需求，优化您的拍摄体验。

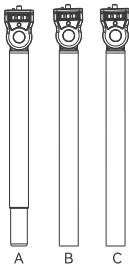
## 设备使用规范

- 请勿超负荷使用。
- 严禁野蛮操作，以免损坏产品。
- 在使用本产品时请在锁紧主体的安全状态下操作。
- 禁止搭载设备(相机)一起携带移动。
- 请勿在低于零下20摄氏度及高于60摄氏度的温度下操作。
- 为了人身安全，在使用产品时请勿与带电物品以及高压设备或强效化学用品接触。

## 包装清单



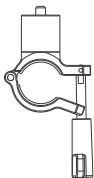
C型夹 × 1



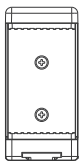
支臂 × 3



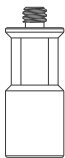
横臂 × 1



蟹钳夹 × 1



手机夹 × 1



灯头 × 1



1/4"-3/8" 转接头 × 1



1/4"-5/8" 转接头 × 1

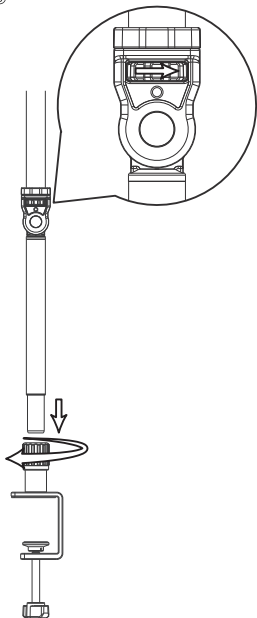


用户手册 × 1

## 使用方法

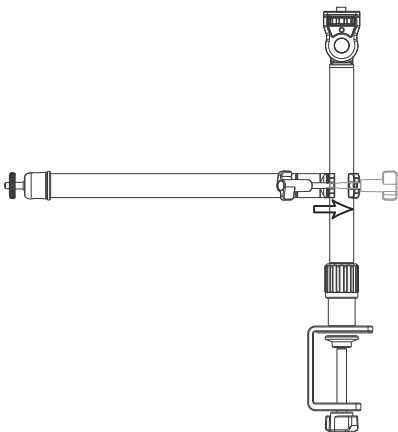
### 1. 组装支架

- ① 将C型夹底部旋钮旋出并夹住桌面侧边，旋紧旋钮即可夹紧桌面；
- ② 将支臂A放入C型夹顶部旋钮中，顺时针方向锁紧；
- ③ 将支臂B的底部螺母放在支臂A的顶部螺丝中，向右滑动云台上的波轮即可锁紧支臂；
- ④ 支臂C安装方式参考步骤③



## 2. 组装横臂

将蟹钳夹旋钮螺丝全部旋出，打开蟹钳夹夹住支臂铝管，螺丝扣回并旋紧旋钮即可；



## 3. 调整拍摄角度

- ① 逆时针旋转C型夹顶部旋钮解锁支架，旋转支架主体即可调整方向，支持360°旋转；
- ② 逆时针旋转支臂云台旋钮，解锁云台，云台支持180°角度调节，调整到合适角度后旋紧即可。

## 规格参数

主要材料	铝合金、ABS
工作高度	980mm
产品净重	930g ± 30g
支臂节数	3节
单节支臂长度	320mm
支臂管径	25mm
支臂云台	180°
支臂承重	2.7kg - 3.3kg
C型夹夹距	< 67mm
蟹钳夹夹距	22mm - 28mm
横臂长度	300mm
横臂球头球径	15mm
横臂球头承重	< 1kg
手机夹适用宽度	58 - 85mm

## 保修条款

请保留您的原始购买单据及保修卡，同时包含您的购买日期、产品序列号等，这些资料质保服务时均需要提供。

## 售后质保条款

SmallRig产品自下单付款之日起享有质保服务。

- 电子产品(除V口电池): 1年质保。
- V口电池: 2年质保。
- 非电子产品: 2年质保。

注:若销售地国家或地区的适用法律法规有冲突的,以销售地国家或地区有关质保期的法律法规为准。

## 质保无效说明

1. 当用户违反操作指引或用户手册中“重要提示”任何一条导致的质量失效,不在质保范围内。
2. 产品序列号标识已经被撕毁或无法辨识,不在质保范围。
3. 产品使用不当等非产品本身质量问题,而造成的产品损坏,不在质保范围。
4. 非官方指导的私自改装、拆解、维修等行为而造成的损坏,不在质保范围。
5. 因火灾、水灾、雷击等不可抗力造成的产品损坏,不在质保范围。

## 维修方式

- 属于质保范围的,SmallRig根据产品具体的故障对产品进行维修或更换;维修后的产品/部件享受原有保修期的剩余时长。

## 联系方式

- 建议您优先进往相应购买平台联系在线客服,提出产品维修申请。
- 您也可以通过 SmallRig 服务邮箱申请维修服务。

服务邮箱:support@smallrig.com

## 保修卡

ID编号	
产品名称	
购买日期	
用户姓名	
用户电话	
用户地址	
购买单据	

# CE RoHS

合格证  
已检验



中国制造 LQ-B200-18

执行标准: GB/T 26572-2011

制造商: 深圳市乐其创新股份有限公司

地址: 中国广东省深圳市龙华区观澜街道新澜社区观光路1301-50号丰和  
工业园厂房5栋103、501、601

委托商: 深圳市乐长科技有限公司

地址: 中国广东省深圳市龙华区观澜街道新澜社区观光路1301-50号丰和  
工业园厂房5栋602