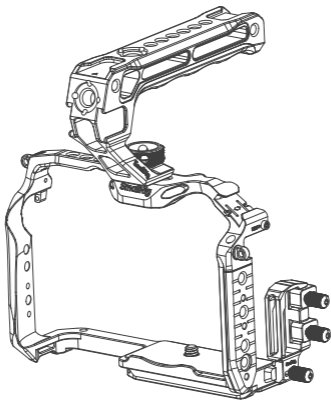


SmallRig



HawkLock Quick Release Cage Kit
for Panasonic LUMIX GH7 / GH6

松下LUMIX GH7 / GH6 迅鹰快拆拓展框套件

Operating Instruction / 操作指引

- Thank you for purchasing SmallRig's product.
感谢您购买 SmallRig 产品。
- Please read this Operating Instruction carefully.
使用本产品之前，请仔细阅读操作指引。
- Please follow the safety warnings.
请注意所有警告提示并遵循使用操作指引的所有指令。

Specifications / 产品参数

4824

Product Dimensions 产品尺寸	6.3 × 4.5 × 2.4in 160.3 × 114.0 × 62.0mm		
Product Weight 产品重量	6.8 ± 0.2oz 192.5 ± 5.0g		
Material(s) 主要材质	Aluminum Alloy, Stainless Steel, Silicone 铝合金、不锈钢、硅胶		
In the Box 包装清单	Cage × 1 拓展框	Guarantee Card × 1 保修卡	

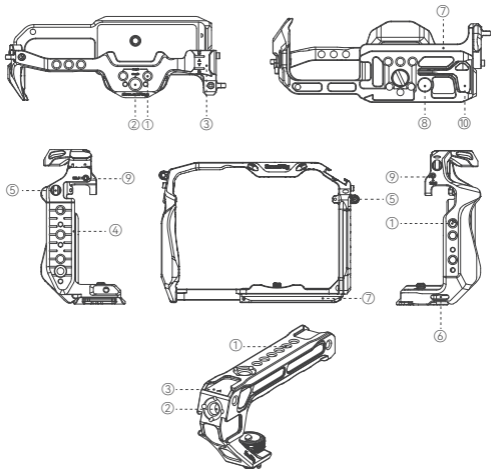
4825

Product Dimensions 产品尺寸	7.2 × 6.9 × 5.3in 183.0 × 174.5 × 135.0mm		
Product Weight 产品重量	12.0 ± 0.2oz 341.0 ± 5.0g		
Material(s) 主要材质	Aluminum Alloy, Stainless Steel, Silicone 铝合金、不锈钢、硅胶		
In the Box 包装清单	Cage × 1 拓展框	HDMI & USB-C Cable Clamp × 1 HDMI & USB-C线夹	
	Top Handle × 1 上手提	Allen Wrench × 1 六角扳手	

* Compatibility / 兼容性:

Panasonic LUMIX GH7 / GH6 / 松下 LUMIX GH7 / GH6

Product Details / 产品介绍



① 1/4"-20 Threaded Hole
1/4"-20 螺纹孔

② ARRI 3/8"-16 Locating Hole
阿莱定位孔

③ Cold Shoe Mount
冷靴

④ NATO Rail
滑条

⑤ Shoulder Strap Hook Hole
肩带环安装孔

⑥ Strap Slot
肩带 / 腕带接口

⑦ Arca-Swiss Plate
阿卡规格快装板

⑧ QD Socket
QD 接口

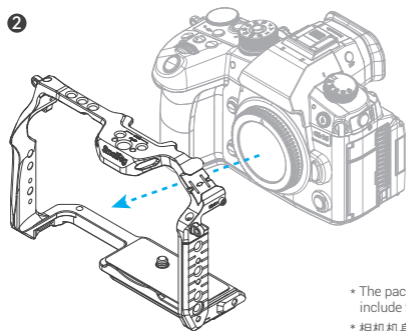
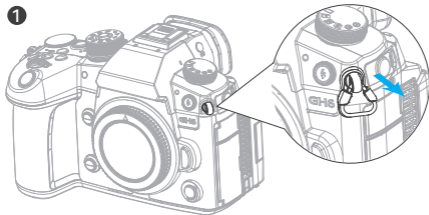
⑨ M2.5 Screw
M2.5 螺丝

⑩ Dual Head Wrench
双头扳手

Cage Installation / 拓展框安装步骤

Step 1: Remove the camera lens and the shoulder strap hooks on both sides, and put the camera into the cage from back to front.

第一步：取下相机镜头和两侧肩带挂钩，将相机从后往前放入拓展框。

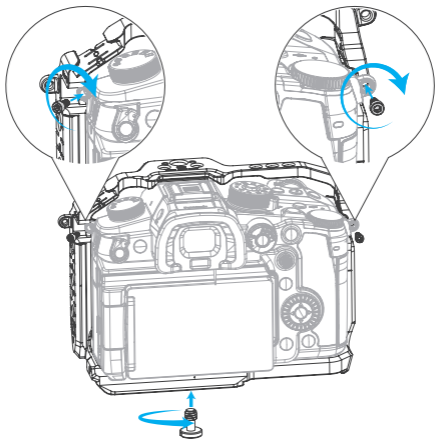


* The package does not include the camera.

* 相机机身需另购

Step 2: Use the Dual-Head Wrench to lock the bottom 1/4"-20 screw. Then use the Dual-Head Wrench to remove the M2.5 screw on the both sides of the cage and lock it through the both shoulder strap hook holes to the cage.

第二步：使用双头扳手固定底部1/4"-20 螺丝，然后将拓展框两侧M2.5 螺丝取下，并穿过肩带挂钩孔锁紧至拓展框。



* The package does not include the camera.

* 相机机身需另购

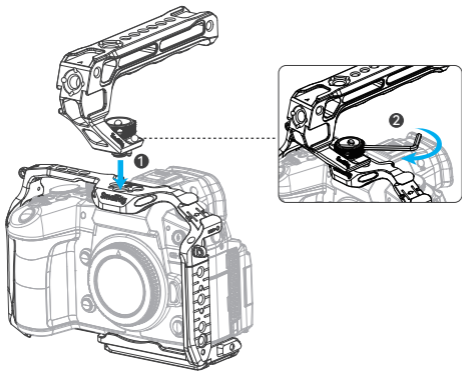
Top Handle Installation / 上提手柄安装步骤

Step 1: Align the top handle with the ARRI 3/8"-16 locating hole on the cage.

第一步：将上手提对准拓展框的阿莱定位孔。

Step 2: Tighten the ARRI 3/8"-16 locating screw by the included Allen wrench.

第二步：拧紧阿莱定位螺丝，使用六角扳手加固锁紧。



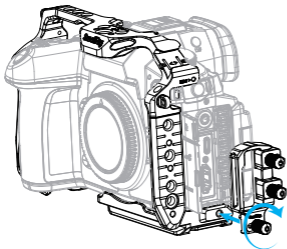
* The package does not include the camera.

* 相机机身需另购

Cable Clamp Installation / 线夹安装步骤

Step 1: Open the camera HDMI & USB-C cover and secure the cable clamp to the left side of the cage.

第一步：打开相机 HDMI & USB-C 保护盖，将线夹固定至拓展框左侧。

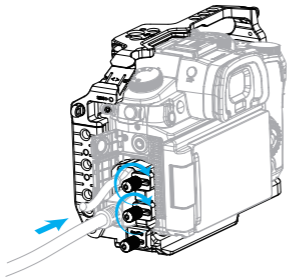


* The package does not include the camera.

* 相机机身需另购

Step 2: Insert cable and tighten the thumbscrew to secure the cable.

第二步：插入线，拧紧手拧螺丝固定线材。



* The package does not include the camera.

* 相机机身需另购

Manufacturer: Shenzhen Leqi Innovation Co., Ltd.

Add: Rooms 103, 501 and 601, Building 5, Fenghe Industrial Park, Nos. 1301-50 Guanguang Road, Longhua District, Shenzhen, Guangdong, China.

制造商: 深圳市乐其创新股份有限公司

地址: 中国广东省深圳市龙华区观澜街道新澜社区观光路 1301-50 号丰和工业园
厂房 5 栋 103、501、601

Consignor: Shenzhen LC Co., Ltd.

Add: Rooms 602, Building 5, Fenghe Industrial Park, No. 1301-50 Guanguang Road, Xinlan Community, Guanlan Street, Longhua District, Shenzhen, Guangdong, China.

委托商: 深圳市乐长科技有限公司

地址: 中国广东省深圳市龙华区观澜街道新澜社区观光路 1301-50 号丰和工业园
厂房 5 栋 602

执行标准: GB/T 26572-2011

CE RoHS



Made in China

中国制造

